

## IMX990-1206

Module camera 1280x1024 Network & SDI Dual Output SWIR Camera Module C-Mount

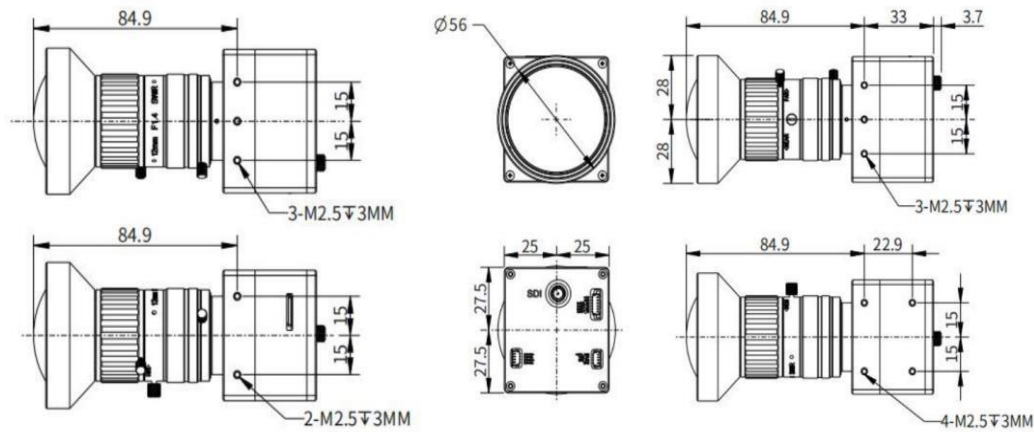


### Features

- 1/2" (1/4") Sony InGaAs Global Shutter SWIR image sensor.
- 5µm pixel size.
- Lens Mount: C (8mm, 12mm, 25mm, 35mm, 55mm, 100mm fixed lens optional).
- Max. 60fps@1280×1024 resolution.
- Support various IVS functions.
- Network + SDI Dual output

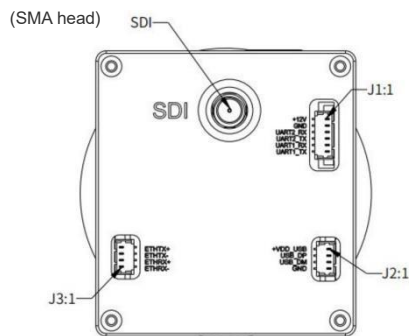
	Model	IMX990-1206		
Sensor	Image Sensor	1/2" SONY InGaAs Global Shutter SWIR Sensor (IMX990)		
	Effective Pixels	Approx. 1.34MP		
	Pixel Size	5µm		
	Spectral Range	400~1700nm		
	Lens Model Number	35mm	50mm	100mm
	Lens Wavelength	800~1700nm		
	Lens Type	C Mount		
	Aperture	F1.4	F1.4	F2.1
	FOV @ 1280x1024 (H*V)	10.5°x8.4°	7.3°x5.8°	3.7°x2.9°
	FOV @ 640x512(H*V)	5.2°x4.2°	3.7°x2.9°	1.8°x1.5°
	Focus	Manual		
	Iris	Manual		
	Lens Size(W×L)	Φ46*47.7	Φ52*57.5	Φ70*141.6
	Weight	220g	200g	740g
	Work Temp.	10°C~+50°C		
	Compression	H.265/H.264/H.264H/MJPEG		
	Resolution	Main Stream: 50/60fps@(1280×1024, 1280×720, 640×512) Sub Stream1: 50/60fps@(640×512, 352×240) Sub Stream2: 50/60fps@(640×512, 352×240)		

Video	Frame Rate	8kbps~16Mbps
	Audio	AAC / MPEG2-Laye
	SDI Video	Original: 1280x1024 Stretch: 1080P30, 1080P25, 1080i60, 1080i50, 720P60, 720P50
Network	Network Protocol	IPv4, IPv6, HTTP, HTTPS, TCP, UDP, RTSP, RTCP, RTP, ARP, NTP, FTP, DHCP, PPPoE, DNS, DDNS, UPnP, IGMP, ICMP, SNMP, SMTP, QoS, 802.1x, Bonjour
	API	ONVIF Profile S, Open API, SDK
	User	Up to 20 users, 2 level: Administrator, User
	Storage	TF card, up to 1TB
	Multicast	Support
Intelligence	Normal Event	Motion Detection, Audio detection, IP address conflict, Illegal Access, Storage anomaly
	IVS functions	Support intelligent functions: <b>Tripwire, Cross Fence Detection, Intrusion, Loitering Detection.</b>
Noise Reduction		2D/3D
Picture Setting		Brightness, Contrast, Sharpness
Focus Mode		Manual
Flip		Support
Interface		4pin Ethernet port, 6pin Power & UART port, SDI (SMA head)
Baud Rate		9600
Communication Protocol		SONY VISCA, Pelco D/P
Working Conditions		-30°C ~+60°C, 20% to 50%RH
Storage Conditions		-40°C ~ +70°C, 20% to 50%RH
Power Supply		DC 12V±10%
Power Consumption		≤4.5W
Dimensions(L*W*H)		44mm*50mm*55mm (without Lens)
Weight		150g
Origine		China



12mm

### Interface Definition:



### Network Interface:

Type	PIN Number	PIN Name	Description
J3:1, 4pin Ethernet Interface	1	ETHRX-	Adaptive Ethernet port, Internet RX-
	2	ETHRX+	Adaptive Ethernet port, Internet RX+
	3	ETHTX-	Adaptive Ethernet port, Internet TX-
	4	ETHTX+	Adaptive Ethernet port, Internet TX+
J1:1, 6pin Power & UART Interface	1	DC_IN	DC12V
	2	GND	GND
	3	485+	RS485, Pelco Protocol
	4	485-	RS485, Pelco Protocol
	5	UART1_RXD	TTL232, 3.3V, Visca Protocol
	6	UART1_TXD	TTL232, 3.3V, Visca Protocol
J2:1, 4pin USB UART (Reserved)	1	+VDD	+VDD
	2	DP	DP
	3	DM	DM
	4	GND	GND