

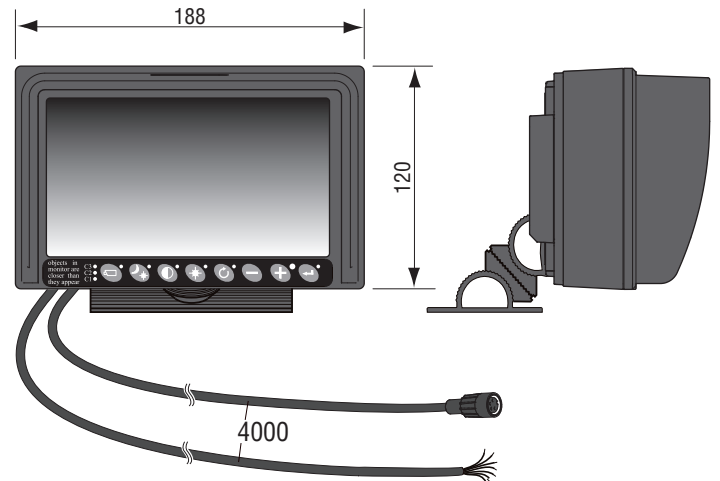
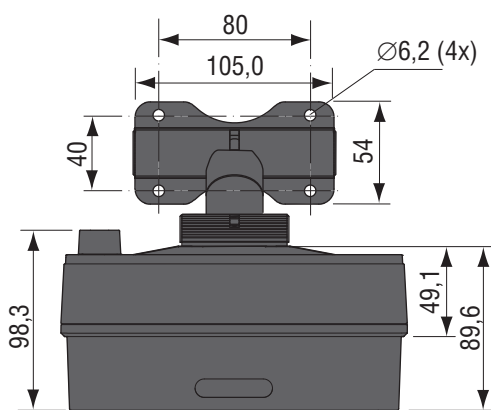
Vision is
our mission®

Monitor 7" RLED Z 4 CS
Article no. 0208681
2017 • DS0208681 EN R2-1

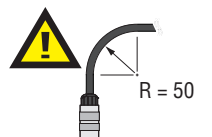
Product Data



Dimensions



units in mm



Min. bend radius= 50mm

TECHNICAL DATA

Monitor 7" RLED Z 4 CS

| | Description |
|--|--|
| Article number | 0208681 |
| Cables / Connectors | 4m multicable (power) open wired, 4m multicable (video) with 4p molded female connector. Art. No.: 8976222 |
| Bracket | Anodized aluminium adjustable mounting bracket is supplied. Art. No. : 8974000 |
| Weight | 1,6kg (Monitor, bracket, cables and connectors) |
| Use | Suitable for open-cabin, drive-in/drive-out cold store use. |
| Type | Automotive 7inch TFT liquid crystal display module LED backlight. |
| Resolution | WVGA 800xRGBx480 pixels. |
| Viewing | 70° horizontal and 60° vertical (@ CR≥10). |
| LED Life Time | 30000 Hrs. |
| Typical performance | Center luminance of white: 600cd/m2, Contrast ratio 650:1, Response time 5 ms (Tr). |
| Software menu | Full On-Screen-Display (OSD) functionality in 15 languages: English, Dutch, German, French, Czech, Hungarian, Italian, Polish, Portuguese, Spanish, Turkish, Swedish, Finnish, Danish, Norwegian. |
| ABC mode | Improved Auto Brightness Control (ABC) including one-touch day/night setting and adjustable minimum and maximum levels for automatic control. |
| Operating temperature | -40°C ..+85°C. |
| Storage temperature | -40°C ..+125°C. |
| | Electrical |
| Input voltage range | 12...60V +/-10%. |
| Power consumption | Max 12W (only for the monitor, total power consumption depending on cameras and other peripherals). |
| Protection | >70V overvoltageprotection, <10V undervoltageprotection, protected against loaddumps, spikes and surges, reverse polarity on all wiring. |
| Power-output | Nominal 2A +/-10% for powering cameras and other peripherals. |
| Video input | 1Vtt, 75Ω, Pal 50 Hz, 4,43MHz color sub carr. NTSC 60 Hz, 3,58MHz color sub carr. |
| | Mechanical |
| Surface | Hard coating (3H), with AG LR (Low Reflection) polarizer. |
| Housing | Color Black, material: aluminium & high impact automotive synthetic thermoplastic polymer. |
| Shock constancy | Shock and vibration resistant for usage on trucks, cranes, fork-lifts, maritime applications, machinery. Random vibration test 15,3Grms at frequency: 24 to 2000, PSD (g ² /Hz) 0,04 to 0,10. |
| Ingress protection | IP67 according IEC 60529 (dust tight, immersion in water up to 1m for 30 min). |
| Truck use | Withstand all fluids and materials used in and around trucks like: ammonia solution 5%, ethanol 80-100%, isopropanol 5-10%, soapy water (min. 50% soap per volume), alkaline degreasing compounds(used in high pressure washing equipment). |
| | Certification |
| Quality & environment Approvals | Units are manufactured by Orlaco in the Netherlands; ISO 9001, ISO14001, ISO-TS16949. Approvals in compliance with all relevant EMC- and Automotive directives. Certificates available upon request. This device complies with Part 15 of the FCC Rules. Operation is subject to the following conditions: (1) this device may not cause harmful interference, and (2) this device must accept any interference received, including interference that may cause undesired operation. |
| Green Passport | All materials are compliant to Green Passport requirements according IMO resolution MEPC.197(62) as adopted on 15 July 2011 (Maritime sector: International Maritime Organization concerning the functions of the Marine Environment Protection Committee). Each product is delivered with a User manual, Installation manual and Declaration Of Conformity (DOC). |
| | Manuals |
| User Manual | UM0972080 |
| Installation Manual | IM0973270 |

All data subject to change without notice. All dimensions are for commercial purpose only.

The camera/display systems from Orlaco comply with the latest CE, ADR, EMC and mirror-directive regulations, where applicable.

All products are manufactured in accordance with the ISO 9001 quality management system, ISO/TS 16949 quality automotive, ISO 14001 environmental management systems and all Ex products with the IECEx scheme and ATEX directives, where applicable.

