

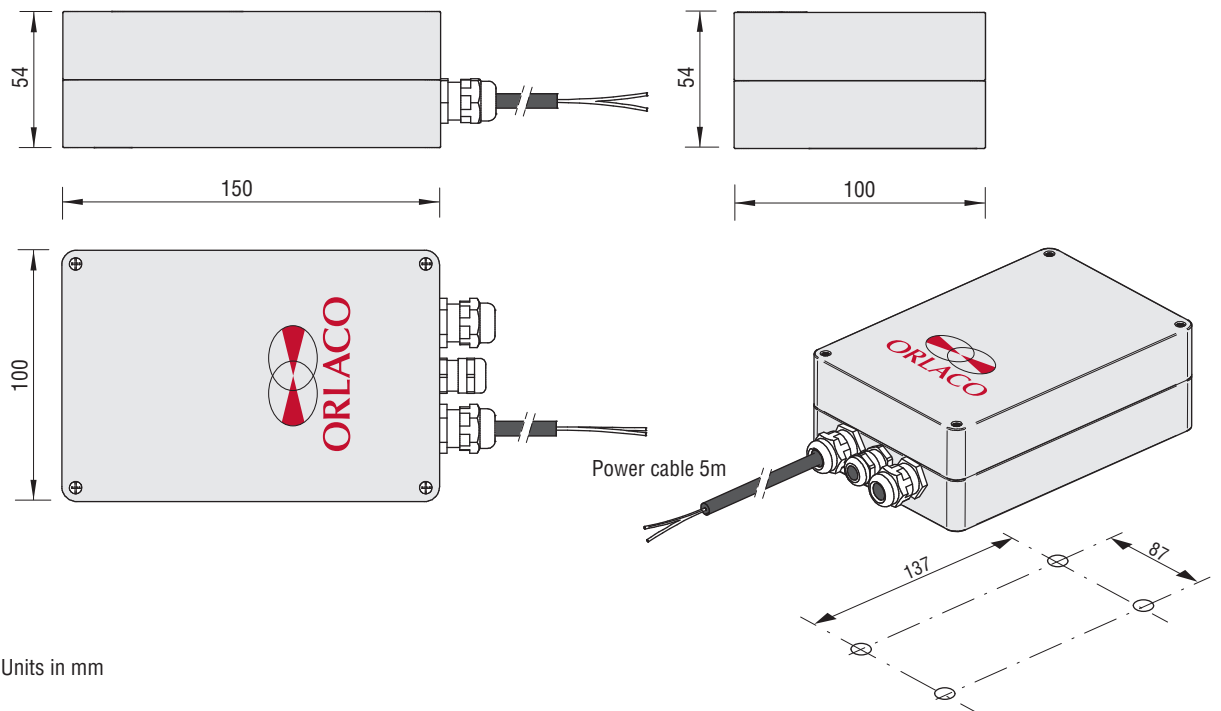
Vision is
our mission®

Control Unit 24V/DC Pan/Tilt
Article no. 0503500
2019 • DS0963155 EN A 02

Product Data



Dimensions



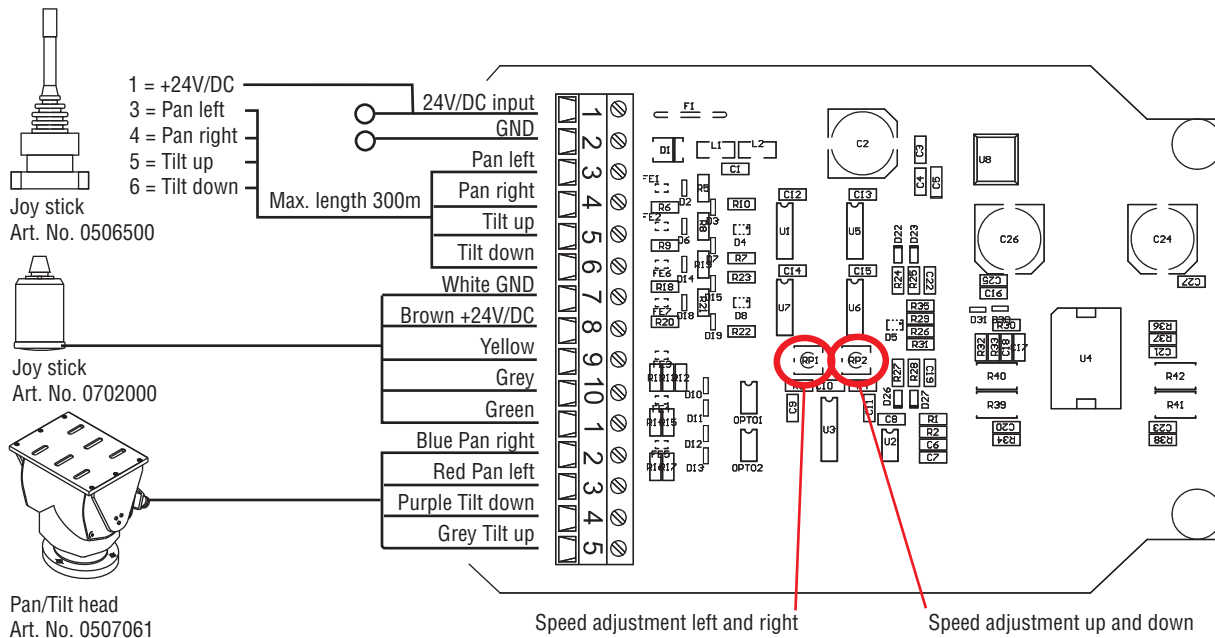
Units in mm

TECHNICAL DATA

Control unit 24V/DC Pan/Tilt

Article number	Description
0503500	0503500
Housing	Aluminium Die-cast: G Al Si/DIN 1725.
Protection	IP64.
Color	Standard powder coated; grey RAL7035.
Power input	24V/DC 2A.
Operating temperature	-15°C....70°C.
Weight	0,8Kg.

Electrical connections



All data subject to change without notice. All dimensions are for commercial purpose only.
The camera/display systems from Orlaco comply with the latest CE, ADR, EMC and mirror-directive regulations, where applicable.
All products are manufactured in accordance with the ISO 9001 quality management system, IATF 16949 quality automotive, ISO 14001 environmental management systems and all Ex products with the IECEx scheme and ATEX directives, where applicable.

