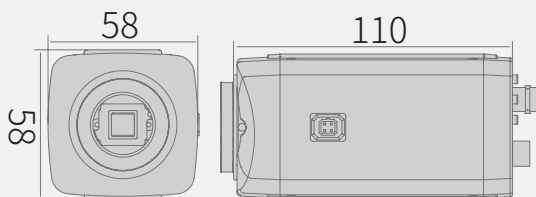


## 4 IN 1 Camera

# KTC-MBN6322x

- Sony 1/2.8" 2.13MP Progressive Scan SONY STARVIS CMOS
- 1080p(1920x1080)@30(25)fps
- 4in1 Output(AVI, TVI, CVI, CVBS)
- C/CS Mount for lens
- Mechanical Day&Night
- WDR, 3D DNR, Defog
- UTC function supports OSD Control
- Box Camera

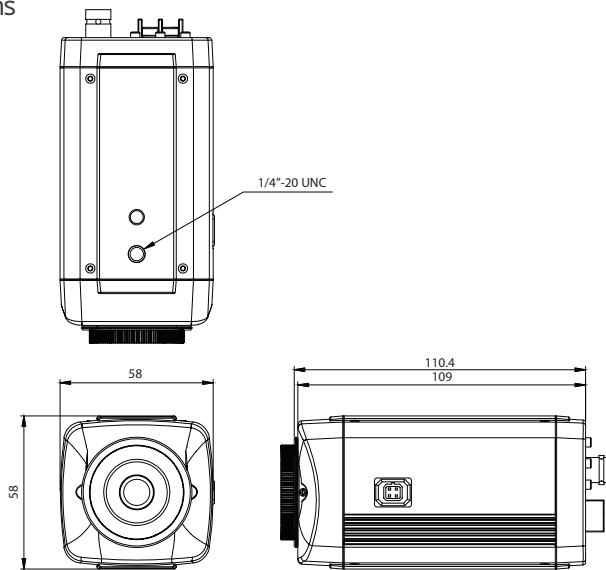


4 IN 1 Camera

# KTC-MBN6322x

## Dimensions

Unit:mm



## Specifications

|                                  |  |                              |   |
|----------------------------------|--|------------------------------|---|
| <b>Image Sensor</b>              | 1/2.8" Progressive Scan SONY STARVIS CMOS  | <b>Privacy Mask</b>          | 16 Zones  |
| <b>Effective Pixels</b>          | 1945(H) x 1097(V)  | <b>Image Rotation</b>        | OFF/H-FLIP/V-FLIP/HV-FLIP   |
| <b>Max. Video Resolution</b>     | TVI, AVI, CVI : 1080p@30(25)fps/<br>720p@60fps(50fps)/720p@30fps(25fps)<br>TV out: CVBS NTSC/PAL | <b>Defog</b>                 | OFF/ON(AUTO/MANUAL)   |
| <b>Type</b>                      | C/CS Mount lens  | <b>Sharpness</b>             | 0~10  |
| <b>Lens</b>                      |  | <b>OSD control</b>           | Rear OSD button, UTC  |
| <b>Focal Length</b>              | Depend on lens   | <b>Language</b>              | ENGLISH, Русский, ESPAÑOL, DEUTSCH,<br>FRANCAISE, PORTUGUÊS, 日本語, 한국어 |
| <b>Angle of View</b>             | Depend on lens   | <b>Video Output mode</b>     | AVI, TVI, CVI, CVBS   |
| <b>Min.Illumination</b>          | 0.03Lux(F1.2, ICR OFF, AGC33dB, DSS:x2)  | <b>General</b>               |   |
| <b>IR LEDs</b>                   | -  | <b>IP Rating</b>             | -   |
| <b>IR Range</b>                  | -  | <b>Operating Temperature</b> | -10°C~+50°C   |
| <b>White Balance</b>             | AUTO/AUTO EXT/PUSH LOCK/MANUAL   | <b>Storage Temperature</b>   | -20°C~+60°C   |
| <b>Dynamic Range</b>             |  | <b>Dimension(mm)</b>         | 58X58X110.4mm   |
| <b>WDR/BLC</b>                   | OFF/BLC/HLC/WDR15P/WDR30P(4 Zones selectable)  | <b>Weight</b>                | Approx.230g   |
| <b>D-WDR</b>                     | OFF/LOW/MIDDLE/HIGH  | <b>Power Source</b>          | 12VDC(±10%)   |
| <b>Level</b>                     | 135.6dB  | <b>Power Consumption</b>     | Max.140mA@12VDC   |
| <b>Electronic Shutter Speed</b>  | AUTO/FLICKER/MANUAL/(1/30(25)~1/30,000)  | <b>Option</b>                |   |
| <b>Digital Slow Shutter(DSS)</b> | OFF~ x32   | <b>Power Source</b>          | DUAL POWER(24VAC/12VDC)   |
| <b>Auto Gain Control(AGC)</b>    | OFF~45dB   | <b>Power Consumption</b>     | 24VAC(±10%), Max.2.8W<br>12VDC(±10%), Max.200mA                       |
| <b>Day&amp;Night</b>             | AUTO/COLOR/B&W (Electronic D&N)  | <b>Lens</b>                  |   |
| <b>Noise Deduction</b>           | 3D-DNR(OFF/LOW/MIDDLE/HIGH)  |                              |   |
| <b>Motion Detection</b>          | OFF/ON(4 Zones)  |                              |   |