

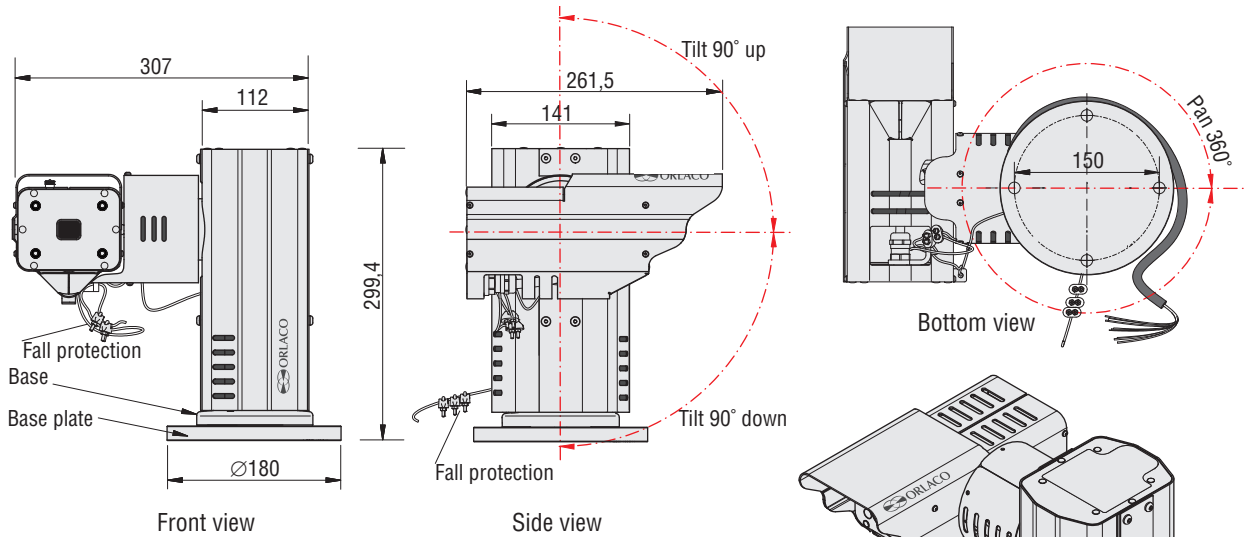
Vision is  
our mission®

Camera PT TIC SSt  
Article no. 0506981  
Camera PT TIC SSt RS485  
Article no. 0516981  
2016 • DS0506981 R3-1

# Product Data



## Dimensions



Units in mm

Cable length 5m  
3,5m available for installation  
Cable Base 9B-1CD-11W  
Art. no. 1221300



# TECHNICAL DATA

## Camera PT TIC SSt Camera PT TIC SSt RS485

	<b>Description</b>
<b>Article number</b>	<b>0506981 Camera PT TIC SSt RS232</b>
<b>Article number</b>	<b>0516981 Camera PT TIC SSt RS485</b>
	<b>General</b>
	Pan Tilt unit including TIC camera. The PTTIC unit functions via two industrial stepping motors. These stepping motors are controlled by the integrated micro-controller and input commands RS232 or RS485 Visca-, Pelco-D protocol.
	<b>Zoom camera</b>
<b>Sensor</b>	Uncooled LWIR Thermal Imager 324 x 256 VOx Microbolometer.
<b>Pixel size</b>	25 micron.
<b>Frame Rates</b>	30/60 Hz (NTSC); 25/50 Hz (PAL).
<b>Sensitivity</b>	<50 mk f/1,0.
<b>Scene Range</b>	High Gain -40°C to +160°C. Low Gain -40°C to +550°C.
<b>Digital zoom</b>	2x & 4x.
<b>Video</b>	NTSC/PAL, field switchable.
<b>Lens</b>	WFOV (Wide Field Of View), 19mm (f1.24) 24° x18°.
<b>Color</b>	15 Color Palettes (LUTs).
	<b>Pan &amp; Tilt</b>
<b>Pan angle</b>	Total 360°, 180° left, 180° right.
<b>Tilt angle</b>	Total 180°, 90° up, 90° down from horizontal.
<b>Backlash PTZ</b>	1°.
<b>Pan &amp; Tilt speed</b>	12,5°/sec.
<b>Presets</b>	128 presets Visca and 255 presets Pelco-D.
<b>Controls</b>	The PTTIC camera can be controlled by means of the Monitor 7" RLED Serial; article no. 0208232 or the Monitor 12" Serial article no. 0207910.
	<b>General</b>
<b>Housing</b>	Stainless steel 316
<b>Weight</b>	15 kg, including 5m. cable.
<b>Cable</b>	Length 5m, 3,5m available for installation, Cable Base 9B-1CD-11W, Art. no. 1221300.
<b>Protection</b>	IP 69K according IEC 60529, 1,4 Bar overpressure filled with dry nitrogen, long term stability 0,1%/year.
<b>Operating temperature</b>	-40°C to +85°C. Puls width modulated thermostatically heating integrated.
<b>Power input</b>	18...30V/DC or alternatively 100...240V/AC via SmartBoard.
<b>Power consumption</b>	Pan & Tilt; 24V, 12W.
<b>Communication</b>	Communication via serial interface, Visca-, Pelco-D protocol (RS232 or RS485) 9,6 Kbps, 8 bit, 1 stop bit, no parity.
<b>Included</b>	Steel cable fall protection.
	<b>Certification</b>
<b>Green Passport</b>	All materials are compliant to Green Passport requirements according IMO resolution MEPC.197(62) as adopted on 15 July 2011 (Maritime sector:International Maritime Organization concerning the functions of the Marine Environment Protection Committee)

### Electrical connections

#### Cable Base, Art no 1221300

	<b>RS232</b>	<b>RS485</b>		
1 = Coax core	Video	Video		
2 = Coax shielding	Video GND	Video GND		
3 = Red	Camera power	Camera power		
4 = Black	Camera 0V	Camera 0V		
5 = Red/White	Pan/Tilt power	Pan/Tilt power	1 = Red/blue	N.C.
6 = Black/White	Pan/Tilt 0V	Pan/Tilt 0V	2 = Black/blue	N.C.
7 = Green	Serial 1 RS-232 TX	B (inv)	3 = Blue	N.C.
8 = Grey	Serial 2 RS-232 RX	A (non-inv)	4 = Brown	N.C.
9 = Black/Gray	Serial 0V		5 = Shielding	N.C.

**Cut off at wire entry**  
(In Junction box)

**Installation** See installation manual IM0973171

All data subject to change without notice. All dimensions are for commercial purpose only.  
The camera/display systems from Orlaco comply with the latest CE, ADR, EMC and mirror-directive regulations, where applicable.  
All products are manufactured in accordance with the ISO 9001 quality management system, ISO/TS 16949 quality automotive, ISO 14001 environmental management systems and all Ex products with the IECEx scheme and ATEX directives, where applicable.

