

Vision is
our mission®

Camera AMOS CFMC 51° PAL LED

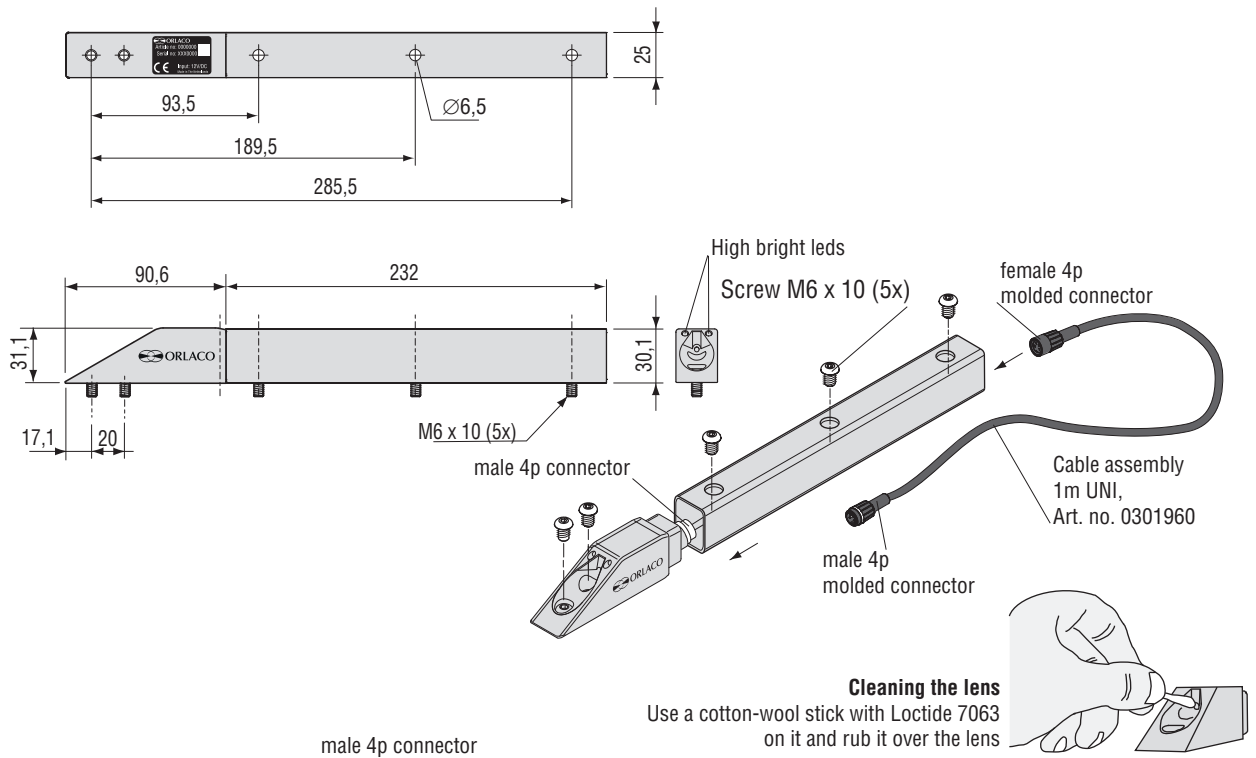
Article no. 0198700

2016 • DS0198700 R1-2

Product Data



Dimensions

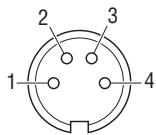


TECHNICAL DATA

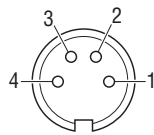
Camera AMOS CFMC 51° PAL LED

Article number	Description 0198700
Lens-specifications	51° horizontal and 38° vertical.
Video signal	Sensor PAL Standard, 1Vtt composite video into 75Ω.
Sensor element	¼" CMOS digital image sensor. 640(H) x 480(V).
Light sensitivity	<0,05 Lux
Dynamic range	80dB.
Power input	Electrical Stabilised 12V/DC.
Power consumption	<+15°C: 3W and >+15°C: 1,2W (heating off).
Cable	1m cable (Art. no. 0301960): 1 x Coax, 3 x signal (7 x 0,13mm ²) With total screening with 4p molded female connector and one molded male connector.
Connection	4p. male connector on camera
Min. cable bend radius	50mm.
Leds	2 High bright leds.
Housing	Mechanical Moulded stainless steel QS 304, grey, separated from electronics through galvanic isolation.
Lens glass	2mm chemically hardened, tempered float glass, 7x stronger than ordinary glass with anti reflective coating.
Ingress protection	IP68 according to IEC 60529 (up to 10m under water). IP69K according to DIN 40050-9, camera housing can withstand high pressure cleaning with water; 14-16L/min. 80°C and 100 bars flow.
Mounting hardware	Standard stainless steel.
Shock constancy	Shock and vibration resistant for usage on forks of forklift trucks, 50G shock test and 15G random vibration test.
Weight	0,23kg
Operating temperature	-40°C to +85°C.
Storage temperature	-40°C to +125°C.

Approvals **Certification**
Product is in compliance with the EMC directive.



Front Side Molded
Female connector



Front Side molded
Male connector

Electrical connection

Art. No 0301960 Cable 1m UNI

1 = Coax core	= Video Signal
2 = Coax Shielding	= Video GND
3 = Red	= 12V/DC
4 = Black	= 0V
Shielding	= N.C.

Installation

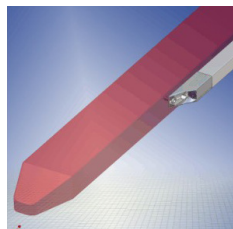
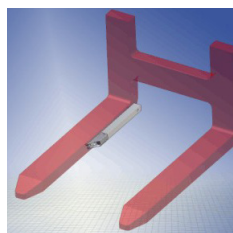
Install the camera between the forks on the right side.

General practice in the forklift industry allows mounting on forks as long as the following rules are fulfilled:

- Only screw connections are allowed.
- Maximum thread is M6.
- Maximum drilling depth is 10 mm.
- Distance between the fork heel and the hole has to be more than 20% of fork length.
- Drilling has to be in the centre-line of the fork.

Orlaco is never liable for any damage of the forks or damage caused by malfunctioning forks for installations without the formal permission of the fork manufacturer.

IMPORTANT!: Any drilling in the fork must be first formally approved by the appropriate fork manufacturer.



All data subject to change without notice. All dimensions are for commercial purpose only.
The camera/display systems from Orlaco comply with the latest CE, ADR, EMC and mirror-directive regulations, where applicable.
All products are manufactured in accordance with the ISO 9001 quality management system, ISO/TS 16949 quality automotive, ISO 14001 environmental management systems and all Ex products with the IECEx scheme and ATEX directives, where applicable.

