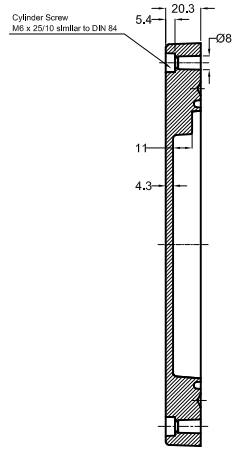
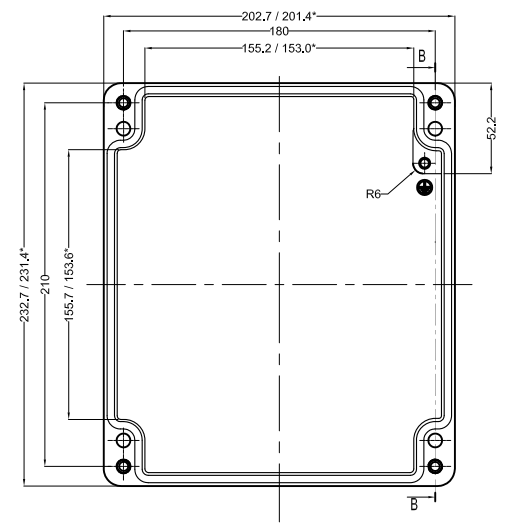
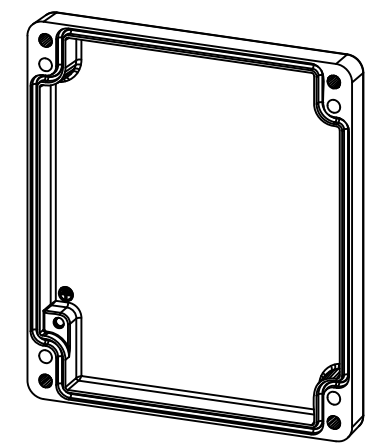


\* = Conical form tapering downward.  
 Untoleranced dimensions per GTA 13/5 DIN 1688

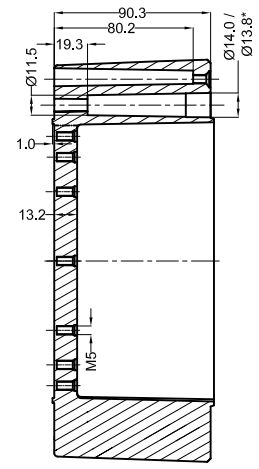
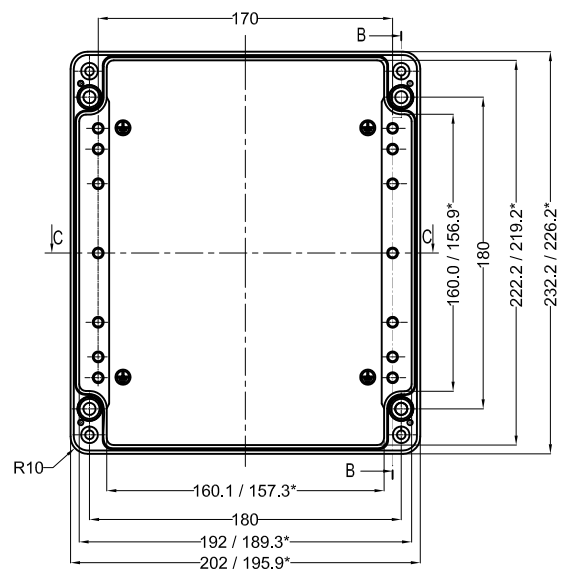
LID



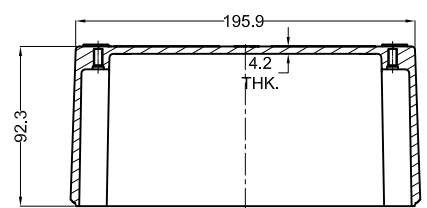
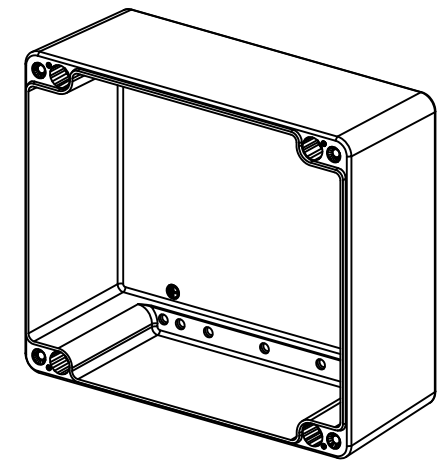
SECTION B-B



BASE



SECTION B-B



SECTION C-C

QUANTITY 1	MATERIAL :- <b>ALSi12 (Din230)</b>	MACH.NAME -	DATE 13/06/12	SIGN MANOJ	NAME DRAWN
			13/06/12		PAVAN CHECKED
					S.D. APPROVED
	WEIGHT: -	FINISH: NATURAL	TITLE :- JUNCTION BOX 230 x 200 x 110		
TOLERANCE		SCALE		PARTNO. 0	
±0.2	DIMENSIONS	Raychem RPG (P) Limited		REV	
±0.2	HOLES	Ceat Mahal Annexe, Dr. Annie Besant Road , Worli , Mumbai 400030		DRG. NO.	
±1.0°	ANGLES	Web : www.raychemrpg.com		0 <b>AJB-230200110</b>	

PROPERTY OF RaychemRPG (P) LTD.  
 ALL RIGHTS RESERVED AND/OR PHOTOCOPYING THIS DOCUMENT  
 TO A PERSON WITHOUT RaychemRPG (P)LTD. WRITTEN AUTHORIZATION IS PROHIBITED