

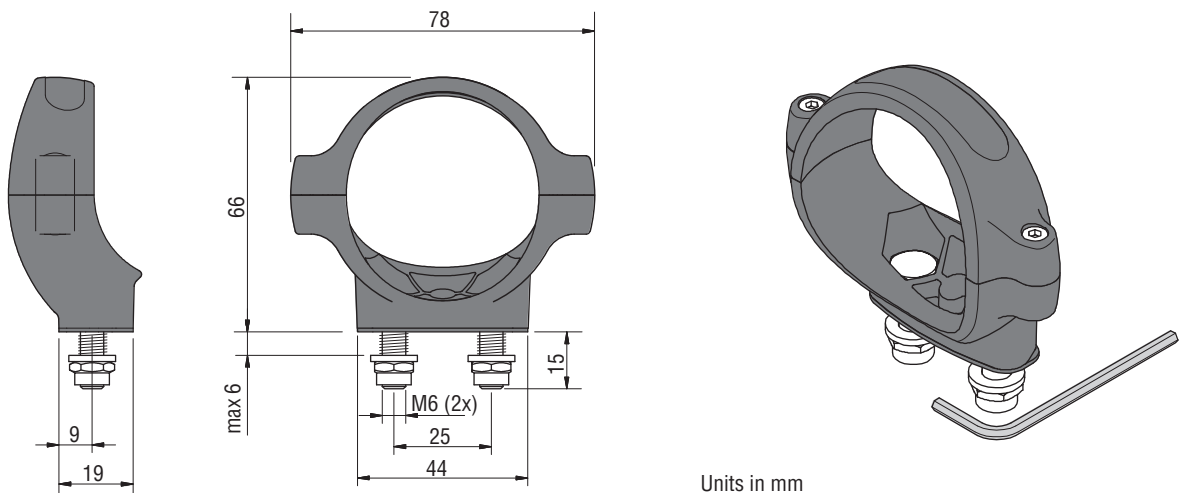
Vision is
our mission®

Camera Bracket no logo
Article no. 8400610
2016 • DS8400610 EN R2-0

Product Data



Dimensions



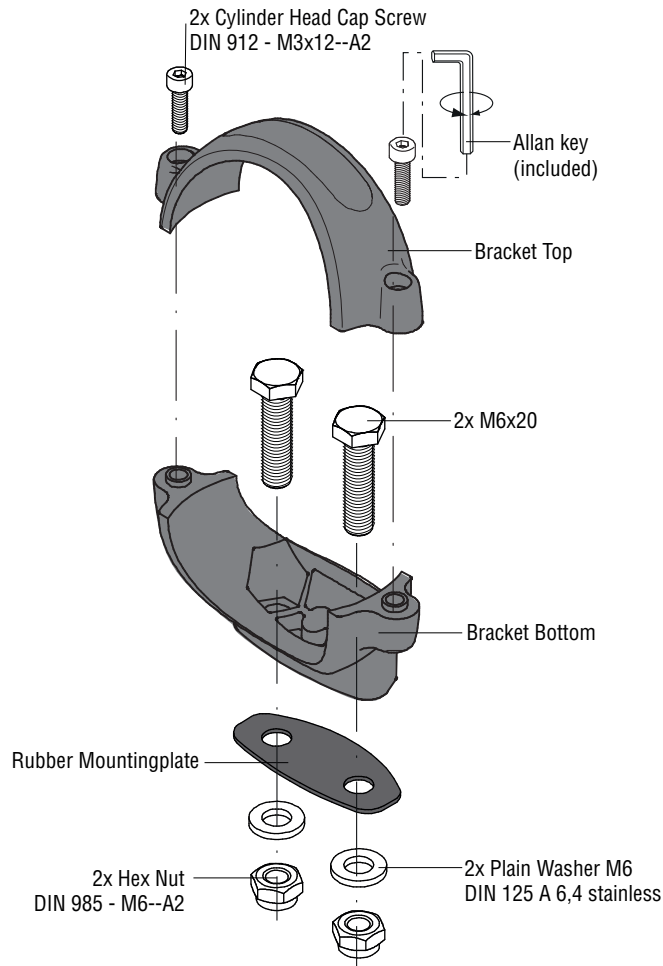
TECHNICAL DATA

Camera Bracket no logo

Article number	Description 8400610
Material	PA, black.
Weight	0.05kg.
Mounting hardware	Standard stainless steel.
Material	Camera bracket is made of glass reinforced polyamide, survives torque test: 50 Nm@-40°C to +85°C.

Mounting instructions

For mounting instructions see also Installation manual IM0973060



All data subject to change without notice. All dimensions are for commercial purpose only.
The camera/display systems from Orlaco comply with the latest CE, ADR, EMC and mirror-directive regulations, where applicable.
All products are manufactured in accordance with the ISO 9001 quality management system, ISO/TS 16949 quality automotive, ISO 14001 environmental management systems and all Ex products with the IECEx scheme and ATEX directives, where applicable.

