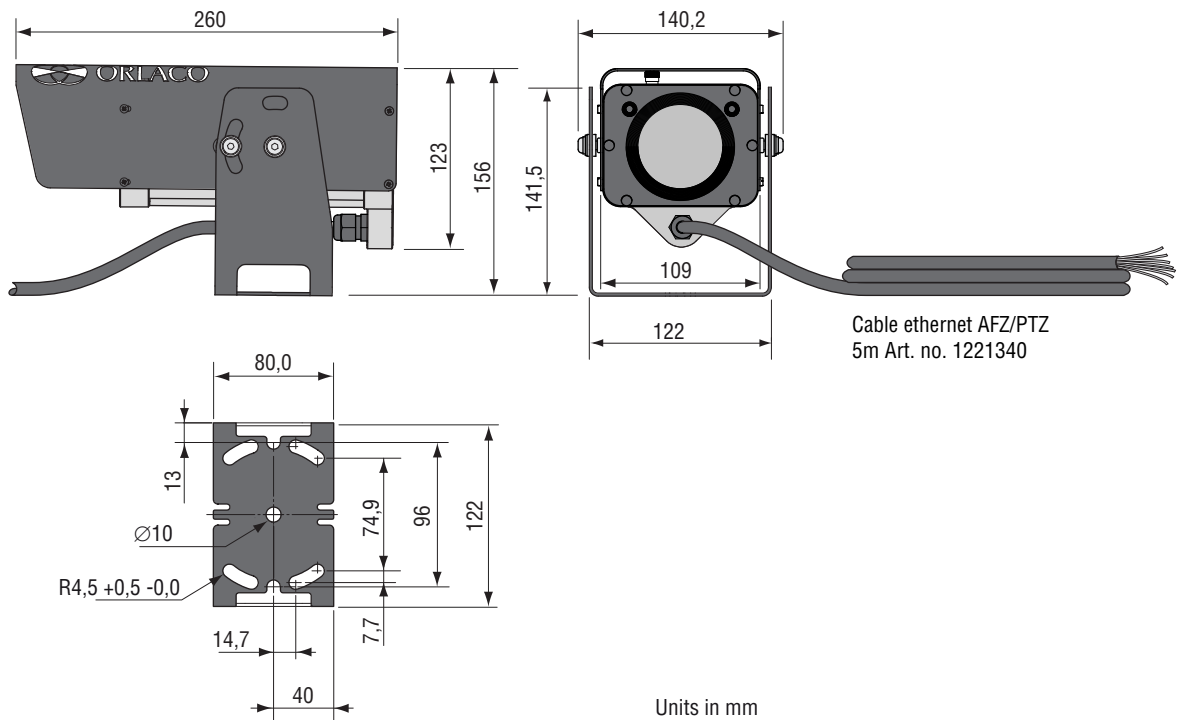


Product Data



- HD image sensor
- Video streaming over TCP/IP
- ONVIF compliant

Dimensions



TECHNICAL DATA

Camera AFZ HD-E Alu

Article number	Description 0103810	Networking	Protocols IPv4/v6, UDP, TCP, IGMP, ICMP, ARP, DHCP, DNS.
Imager	General Digital full HD zoom camera with ethernet interface The camera has a web GUI interface (HTTP or HTTPS). Control and view of the camera is done over TCP/IP in a computer network.	Streaming Management	RTP, HTTP. RTSP, HTTP, HTTPS, Bonjour, NTP, Telnet, FTP, SNMP.
Picture elements	Sensor 1/2.8 Type Exmor CMOS Sensor. 2.38 Megapixels.	PTZ integration	Pelco D.
Lens	30x Zoom F=4.3mm (WIDE) to 129mm (TELE), F1.6 to F4.7.	Input voltage range	Electrical 18...30VDC.
Angle of view (H)	±63.7° (wide end), ±2.3° (tele end).	Power consumption	Heating on: 15W & Heating off: 10W.
Min. working distance	10 mm (WIDE end), 1200 mm (TELE end).	Communication	Ethernet.
Min. illumination	1,4 Lx (1/30 sec, 50%, ICR-OFF, High Sensitivity mode OFF). 0,35 Lx (1/30 sec, 50%, ICR-ON, High Sensitivity mode ON). 0 lux mode.	Cable	Art. No. 1221340; Cable Ethernet AFZ/PTZ, 5,0m, open wired. Length between camera and switch; Max 60m
S/N ratio	>50 dB	Construction	Mechanical Stainless steel 316 mounting parts, anodised aluminium housing and sun cover, suitable for mobile applications with shocks and vibrations. Corrosion proof housing according to IEC 60068-2-52 salt mist, cyclic.
Standards	Video Compression H.264 High, Main and Baseline profiles, Motion JPEG.	Ingress protection	IP 68 according to IEC 60529 (25 m under water), dry-nitrogen filled, 1,4 Bar overpressure.
Data rate	64 kbps to 10 Mbps per channel (requires less than 1 Mbps at 4CIF/30fps).	Bracket	Standard Alu bracket, including bolts, nuts and washers. Suitable for mounting overhead and standing.
Resolutions	Up to HD 720p at 60 fps / 1080p at 30 fps (16:9).	Operating temperature	-40°C to +60°C.
Latency	< 200ms.	Glass	Chemically hardened lens glass, 7x stronger than ordinary glass, scratchproof surface, following "VII Flachgläser"(German std.).
Start up time	< 100 sec.	Weight	2,6 kg.
Green Passport	NB Cable lengths are restricted; S/FTP cable (not included) max 100m point to point. See Installation Manual; IM0973540 . Certification All materials are compliant to Green Passport requirements according IMO resolution MEPC.197(62) as adopted on 15 July 2011 (Maritime sector: International Maritime Organization concerning the functions of the Marine Environment Protection Committee). Electrical connections Cable Ethernet AFZ/PTZ, Art. No. 1221340		
	1. Brown N.C.	9. Black/white	P&T Power 0V in
	2. Blue N.C.	10. Red	Camera power 24V in
	3. Black/blue N.C.	11. Black	Camera power 0V in
	4. Red/blue N.C.	12. Orange/white	Ethernet TX+
	5. Blue Serial - 1*	13. Orange	Ethernet TX-
	6. White Serial - 2*	14. Green/white	Ethernet RX+
	7. Grey Serial 0V	15. Green	Ethernet RX-
	8. Red/white P&T Power 24V in		

All data subject to change without notice. All dimensions are for commercial purpose only.

The camera/display systems from Orlaco comply with the latest CE, ADR, EMC and mirror-directive regulations, where applicable.

All products are manufactured in accordance with the ISO 9001 quality management system, ISO/TS 16949 quality automotive, ISO 14001 environmental management systems and all Ex products with the IECEx scheme and ATEX directives, where applicable.

