

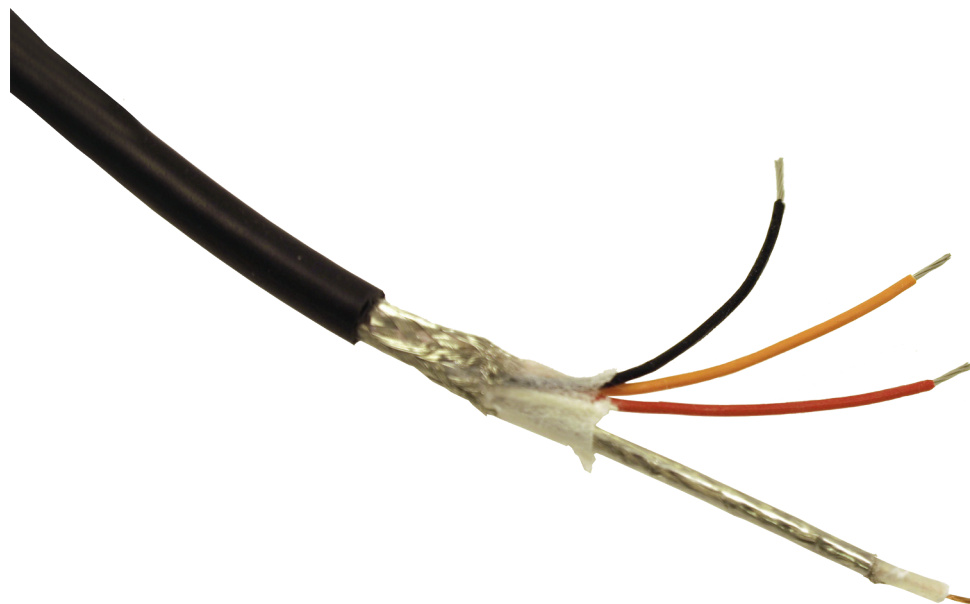
Multi cable 1x coax + 2x power + 1x data PUR

Article no. 1220110

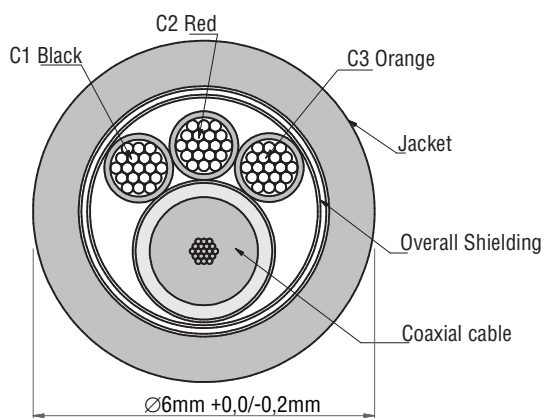
2015 • DS1220110 EN R2-0

Vision is
our mission®

Product Data



Cable section



TECHNICAL DATA

Multi cable 1x coax + 2x power + 1x data PUR

| | Description |
|----------------------------|--|
| Article number | 1220110 |
| Shield | Tinned copper, braided $\geq 85\%$. |
| Coax | Coax Cable 26AWG 19 x 0,10 mm, Core: CU-ETP1 according DIN EN 13602. Shield tinned copper braided $\geq 85\%$. Sheath PP. |
| C1 to C3 Conductor | 3 x AWG22, 7 x 0,25mm, tinned copper. Color: Black, Red, Orange. |
| Jacket | TPE-U Sh A 85 +/-5; Halogen Free, overall diameter 6mm +0,0/-0,2mm, Color: Black RAL 9005. |
| Temperature range | -40°...+85°C. |
| Min. bending radius | 7,5 x Diameter (Static). |
| Coax impedance | 75 Ω |
| Weight | 0,05 kg/m |
| Approvals | Chemical Resistance: Oil, Mud. Fire resist: IEC 60332-3. Halogen free: DIN VDE 0472 part 815. Cable is designed according UL Style 20549. |
| Ex applications | This cable is used in an Ex-application; so no changes may be made to the cable or this datasheet. |

All data subject to change without notice. All dimensions are for commercial purpose only.

The camera/display systems from Orlaco comply with the latest CE, ADR, EMC and mirror-directive regulations, where applicable.

All products are manufactured in accordance with the ISO 9001 quality management system, ISO/TS 16949 quality automotive, ISO 14001 environmental management systems and all Ex products with the IECEx scheme and ATEX directives, where applicable.

