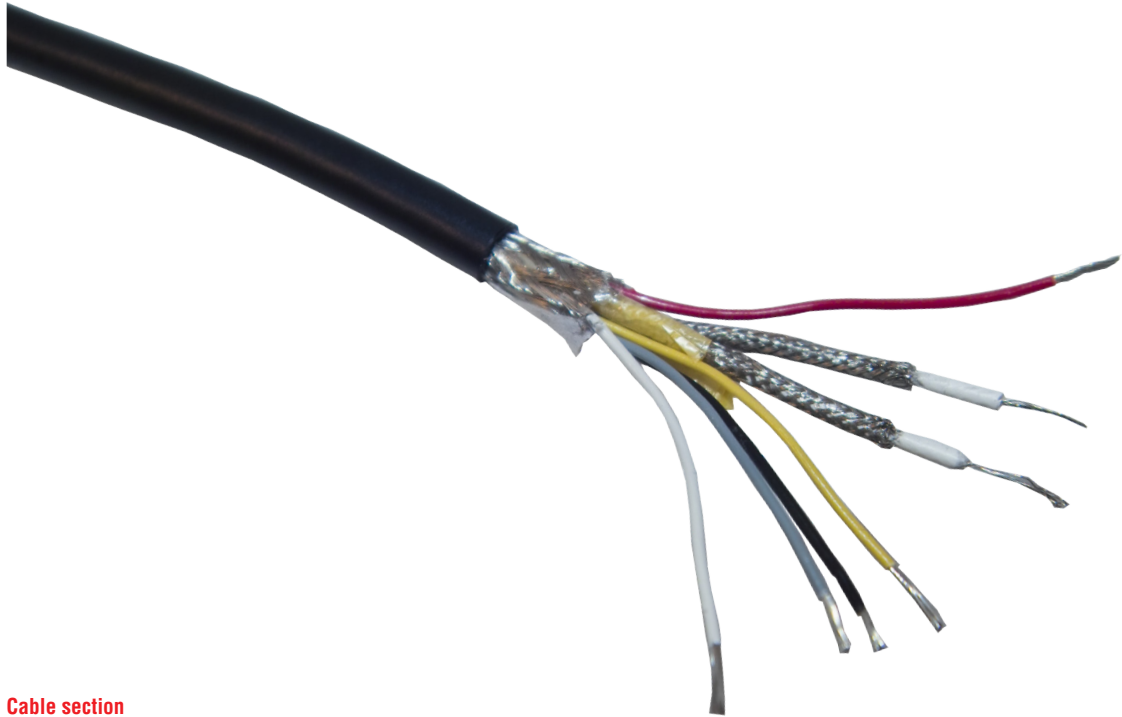


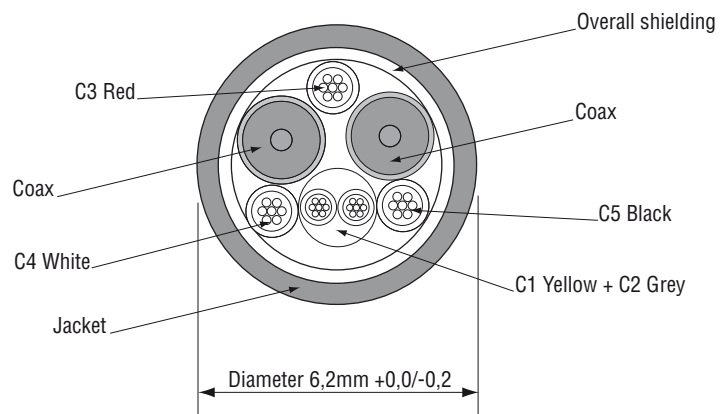
Vision is
our mission®

Multi cable 2x coax + 5x wire PUR
Article no. 1220350
2015 • DS1220350 EN R2-0

Product Data



Cable section



TECHNICAL DATA

Multi cable 2x coax + 5x wire PUR

	Description
Article number	1220350
Overall Shielding	Tinned copper, braided, 85%.
Coax	Type RX 174/TFT, Core tinned copper, AWG28 Shield Braided 95%, White Foam skin PE.
C1, C2 Conductor	2 x AWG24, tinned copper. Color: Grey, Yellow.
C3 to C5 Conductor	3 x AWG22, tinned copper. Color: Red, White, Black.
Jacket	PUR, overall diameter 6,2mm +/-0,2mm, Color: Black RAL 9005.
Temperature range	-40°...+85°C.
Impedance coax	75Ω +/-3Ω.
Approvals	Chemical resistance: oil, mud, halogen.
Min. bending radius	Static: 180mm Fire resist.

All data subject to change without notice. All dimensions are for commercial purpose only.
The camera/display systems from Orlaco comply with the latest CE, ADR, EMC and mirror-directive regulations, where applicable.
All products are manufactured in accordance with the ISO 9001 quality management system, ISO/TS 16949 quality automotive, ISO 14001 environmental management systems and all Ex products with the IECEx scheme and ATEX directives, where applicable.

